

EchoGuard CR[®]

4D MESA[®] Radar for Close Range Surveillance

Guard Every Perimeter

Ground and Air

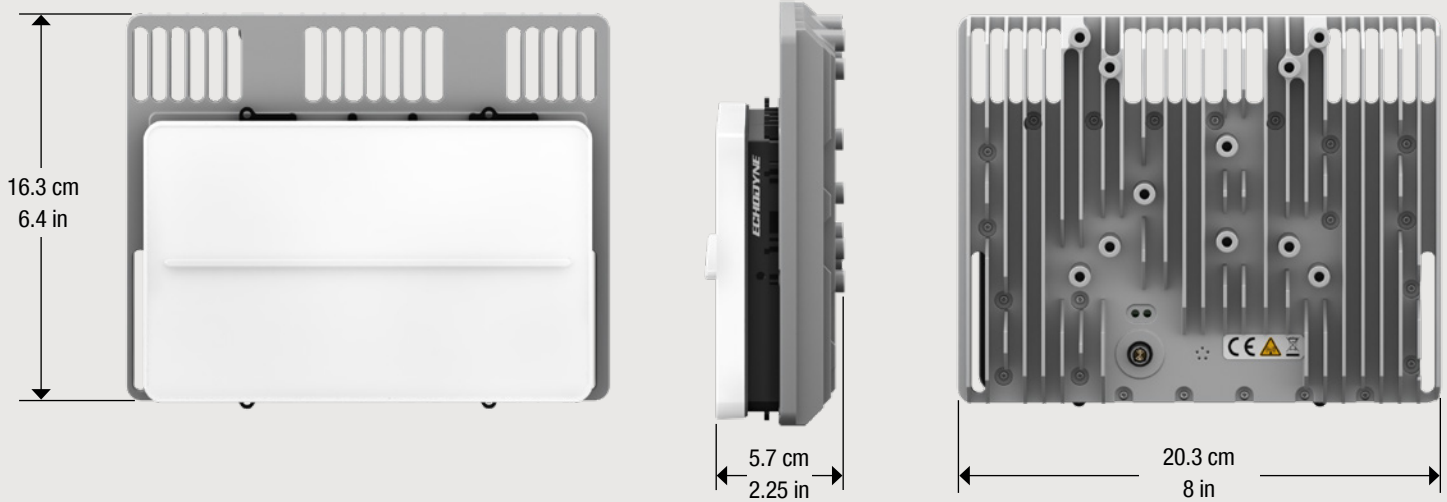
Accurate and Reliable



Built for Semi-Urban, Urban, and Close-Range Environments.

RADAR PERFORMANCE	SWaP & ENVIRONMENTAL	INTEGRATION & DATA
<p>Frequency K-band 24.45 – 24.65 GHz</p> <p>Field of View 120° azimuth x 80° elevation</p> <p>Track Accuracy < 1° azimuth x < 1.5° elevation</p> <p>Track Update Rate 10 Hz</p> <p>Max Tracks Up to 20 Simultaneous Tracks</p> <p>Instrumented Range 1.2 km</p> <p>Range sUAV: > 225 m (Phantom 4) > 350 m (Matrice 600) Vehicle: > 900 m Human: > 500 m</p>	<p>Size 20.3 cm x 16.3 cm x 4 cm</p> <p>Weight 1.25 kg</p> <p>Power + 12 to + 30 VDC Comp w/ PoE+, Class 4 Ext. < 24 W (Operating) < 10 W (Hot standby)</p> <p>Operating Temp - 40° C to + 75° C</p> <p>Weather Protection IP67</p>	<p>Control I/O Gigabit Ethernet</p> <p>Power I/O Snap Lock 12 Pin Connector</p> <p>Data Output R/V Maps: 40 MBps Detections: 1 MBps Measurements: 1 MBps Tracks: 25 KBps</p> <p>Mounting VESA 75 & 100 mm</p>

RADAR DIMENSIONS



ORDERING DETAILS

FCC ID: 2ANLB-MESASSR00053

WHITE 700-0005-203-110

Software & Support

SOFTWARE UPDATES

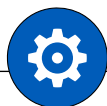
Continuous Improvement from Software-Defined Radar

- Includes All Major and Minor Releases
- Improve Radar Operations
- Enhanced Classification
- Radar Data Visualization Tools
- Radar Support Tools

TECHNICAL SUPPORT

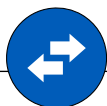
Priority Access to Radar Support

- Review and Training Sessions
- Systems Integration
- Troubleshooting
- Performance Review
- Planning



**PRIORITY
TECHNICAL SUPPORT**

Priority queuing via company match when using support@echodyne.com.



**CUSTOMER
PORTAL**

24/7 access to all tools, manuals, and materials.



**PERFORMANCE
ENHANCEMENT**

Continuous improvements through software development.



**USER
COMMUNITY**

Submit requests for features and functionality.